



# Immersive HD Model 6.5HD-AW-70V



## Description:

The 6.5HD-AW-70V is a high definition, ultra-high fidelity full range loudspeaker featuring a 6" Planar Magnetic Ribbon and a 6.5" woofer in a true coaxial configuration. High-performance custom built 70 volt 100 watt toroid transformer, low insertion loss and linear response. The compact, trapezoidal all weather, molded composite enclosure with an "IP-65" rating, has been designed with unique waveguides delivering excellent dispersion and fidelity.

## Features:

- Ultra-fast transient response and higher instantaneous peak level for faithful signal reproduction and improved dynamic range
- Wide Horizontal dispersion for excellent stereo imaging and larger listening area
- Well controlled vertical dispersion reduces floor and ceiling reflections and yields longer listening distances
- Robust, molded urathane composite enclosure for permanent outdoor installations
- All weather, water-proof drive components
- Unique woofer and ribbon wave guides for better dispersion and fidelity
- Galvaneal, powder coated steel grill with reticulated foam
- Stainless steel and powder coated hardware
- 70 volt 100 watt custom toroid transformer for use when long wire runs / distributed audio is a requirement



True coaxial drivers produce a perfectly symmetrical coverage pattern and lower distortion due to the alignment's acoustic filter effect. Resulting in an evenly dispersed, audiophile-quality sound even at the highest output levels.

70 volt 100 watt custom toroid transformer,



## Applications:

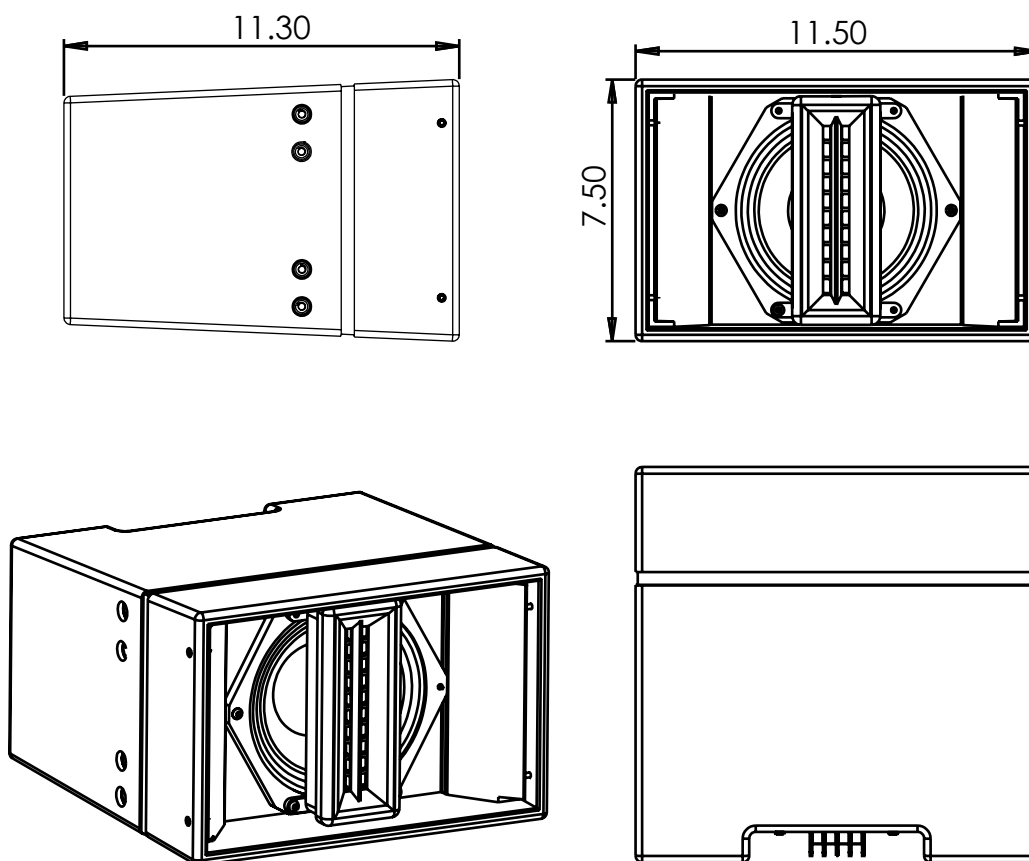
- Houses of Worship
- Performing Arts Theaters
- Athletic Facilities
- Convention Centers
- Theme Parks
- Museums
- Airports & Train Stations
- Challenging Acoustic Spaces
- Multi-Purpose Venues
- Audio, Video Production

Coupling Bracket / BKT-6.5CB  
Connects two 6.5HD-AW  
(Optional)



Universal Mount / BKT-6.5UB  
for wall or ceiling  
(Included)

## 6.5HD-AW-70V Specifications



System Type	Hybrid Coaxial, ribbon, woofer, two-way full range loudspeaker
Driver Components	All-weather 6" ribbon driver + 6.5" composite cone woofer
Frequency Response	50 Hz - 20 kHz (-10db) 78hz – 20khz +/- 3db
Maximum SPL	109db Continuous, 115db Peak
System coverage	110 degree horizontal, 60-degree vertical (averaged from 1k to 8k)
Sensitivity, 1m/2.83V	89 dB
Power Handling	100W AES, 200W Program 400W Peak
Recommended Amplifier Power	100 W - 400W (FTC) @ 8 Ohms
Transformer	70 volt 100 watt
Crossover	Passive, custom. Recommended HPF 45Hz, 12db Butterworth
Input Connectors	Screw terminal barrier strip
Enclosure	All-weather, sealed trapezoid composite. IP-65 per IEC529
Mounting (Included)	Universal Mount
Optional Accessories	Coupling Bracket BKT-6.5CB (Pair)
Dimensions, (H x W x D)	7.4" (18.8cm) x 11.5" (29.21cm) x 11.3" (28.7cm)
Weight, net / shipping	22.8Lbs (10.4kg) / 27.6Lbs (12.5kg)
Warranty	Limited 3-year warranty



# 6.5HD-AW-70V Directivity

