



Immersive HD Model 6.5HD



Features:

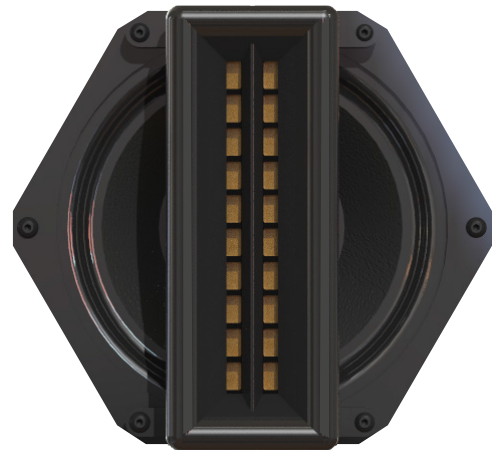
- Ultra-fast transient response and higher instantaneous peak level for faithful signal reproduction and improved dynamic range
- Wide Horizontal dispersion for excellent stereo imaging and larger listening area
- Well controlled vertical dispersion reduces floor and ceiling reflections and yields longer listening distances
- Robust enclosure and components
- Unique woofer and ribbon wave guides for better dispersion and fidelity
- All stainless steel hardware and powder coated mounting brackets
- Trapezoidal form factor allows the 6.5HD to be used as a building block (module) for the ultimate high fidelity, high definition line arrays

Applications:

- | | |
|----------------------------|-------------------------------|
| • Houses of Worship | • Museums |
| • Performing Arts Theaters | • Airports & Train Stations |
| • Athletic Facilities | • Challenging Acoustic Spaces |
| • Convention Centers | • Multi-Purpose Venues |
| • Theme Parks | • Audio, Video Production |

Description:

The 6.5HD is a high definition, ultra-high fidelity full range loudspeaker featuring a 6" Planar Magnetic Ribbon and a 6.5" woofer in a true coaxial configuration. The compact, trapezoidal enclosure has been designed with unique waveguides which deliver excellent dispersion and fidelity. Constructed of Baltic Birch with stiff internal bracing creating a colorless sonic enclosure.



True coaxial drivers produce a perfectly symmetrical coverage pattern and lower distortion due to the alignment's acoustic filter effect. Resulting in an evenly dispersed, audiophile-quality sound even at the highest output levels.



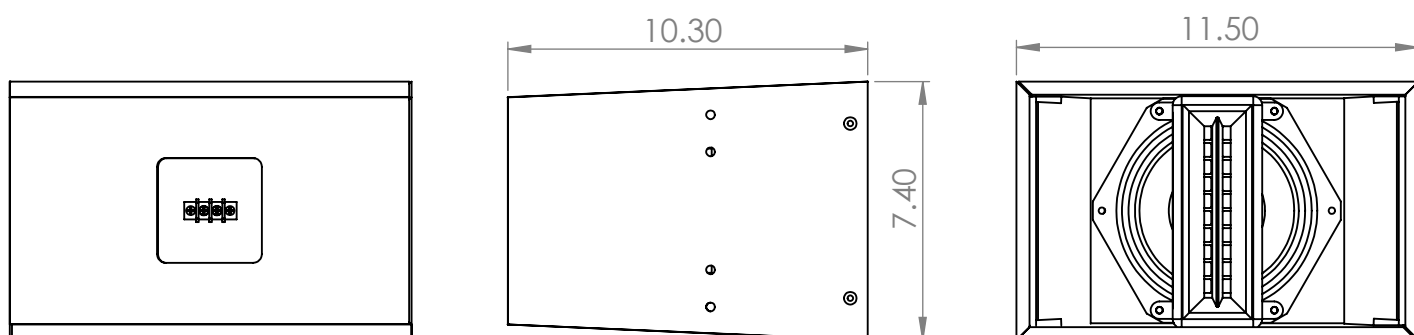
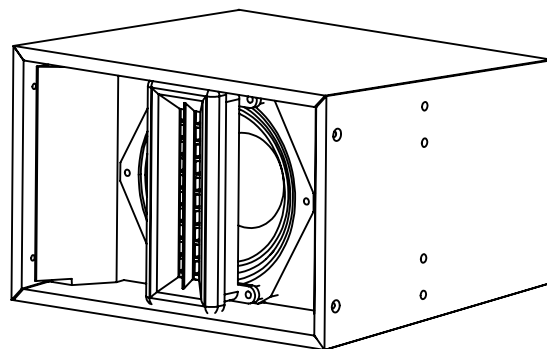
Universal Mount for wall or ceiling
(Included)



Barrier strip input



6.5HD Specifications



System Type	Hybrid Coaxial, ribbon, woofer, two-way full range loudspeaker
Driver Components	All-weather 6" ribbon driver + 6.5" composite cone woofer
Frequency Response	50 Hz - 20 kHz (-10db) 78hz – 20khz +/- 3db
Maximum SPL	109db Continuous, 115db Peak
System coverage	110 degree horizontal, 60-degree vertical (averaged from 1k to 8k)
Sensitivity, 1m/2.83V	89 dB
Power Handling	100W AES, 200W Program 400W Peak
Recomended Amplifier Power	100 W - 400W (FTC) @ 8 Ohms
Rated Impedance	8 Ohms nominal, 5.7 ohms min @ 160hz
Crossover	Passive, custom. Recommended HPF 45Hz, 12db Butterworth
Input Connectors	Screw terminal barrier strip
Enclosure	Extensively braced Baltic Birch sealed trapezoid
Mounting (Included)	Universal Mount
Dimensions, (H x W x D)	7.4" (18.8cm) x 11.5" (29.21cm) x 10.3" (26.2cm)
Weight, net / shipping	16Lbs (7.2kg) / 20.8Lbs (9.45kg)
Warranty	Limited 3-year warranty



6.5HD Directivity

